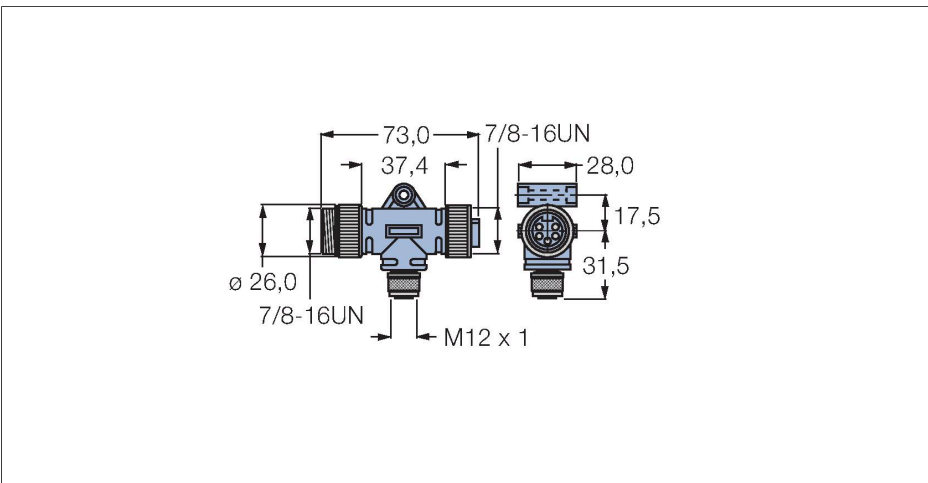


RSM FKM RKM 57

2-Way Splitter – T-Splitter without Cable



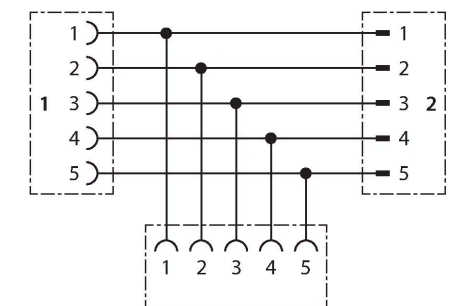
Technical data

Type	RSM FKM RKM 57
ID	U0142
Distributed I/O	T-splitter, 2 -port
Connector A	Female, M12 × 1, Straight
Number of pins	5
Connector body	Plastic
Mechanical lifespan	> 100 Mating cycles
Protection class	IP67, Only in screwed condition
Connector B	Female Connector, Male Connector, 7/8"-16 UN, Straight
Contacts	Metal, CuZn, Gold-plated
Contact carriers	Plastic
Connector body	Plastic
Seal	Plastic
Mechanical life	> 100 Mating cycles
Protection class	IP67, Only when plugged
Network protocol	DeviceNet
Electrical properties at +20 °C	
Rated voltage	250 V
Current	4 A
Insulation resistance	≥ 10 ⁸ Ω
forward resistance	≤ 5 mΩ
Mechanical and chemical properties	
Ambient temperature (mobile)	-40...+75 °C

Features

- Design: M12 adapter with two 7/8" exits
- T-splitter, 5-pin
- For use in CAN (DeviceNet™, CANopen) applications

Headline Wiring Diagram



Technical data

Note

- We reserve the right to make technical modifications without prior notice.
