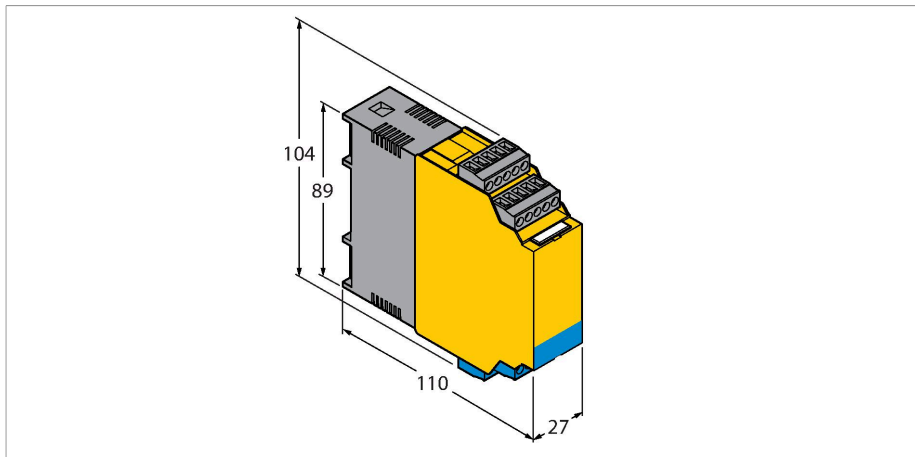


FMX-IM-2UPLI63X

Flow Monitoring – For the Connection of FCS/FCI Product Series Ex Flow Sensors (NAEX)

HART Device with Current and Transistor Outputs



Technical data

Type	FMX-IM-2UPLI63X
ID	7525105
Electrical data	
Operating voltage	20...30 VDC
Power consumption	< 10.5 W
No-load current I ₀	≤ 63 mA
Teach modes	Min/max adjustment. Teach modes incl. DeltaFlow monitoring (teach modes are automatically released with the change of flow speed).
Flow speed	[%] after min/max adjustment (permanent)
Medium temperature	[°C] with the SET button temporarily pressed
Repeatability flow rate	typical ± 1 % (of full scale)
Repeatability media temperature	typical ± 1 K
Measuring accuracy media temperature	typical ± 7 K
Switchpoint hysteresis media temperature	2 K
Input function	Connection of flow sensors (Ex sensors of the FCS/FCI product series only!)
Sensor voltage	≤ 7 VDC
Sensor current	≤ 70 mA
Sensor current limitation	approx. 110 mA
Measuring frequency	5 Hz (every 200 ms with software filter)

Features

- For Ex ia resp. Ex ib sensors
- Analog output for flow
- Transistor outputs for temperature and faults
- Teaching upper and lower flow limit
- LED band for indication of flow speed and media temperature
- Monitoring of operating and display range
- Detection of wire-break and short-circuit on the sensor side
- Parametrized via pushbutton and FDT/DTM
- Associated equipment [Ex ia Ga/Da]
- Connection of flow probes Zone 0/20

Functional principle

All Ex FCS flow (immersion) and FCI (inline) sensors can be operated with the external processing unit FMX-IM.

The flow module features four status LEDs as well as a 10-segment LED band for local monitoring. Software-based diagnostic options are also available to the user, such as wire-break and short-circuit on the sensor side. Furthermore, monitoring of flow rates and media temperatures within a predefined operating and display range.

The upper and lower limit are determined in relation to the analog output signal and implemented in the Teach mode. Working on the calorimetric principle, the connectible sensors not only detect the flow rate but also the media temperature.

Parametrization is implemented either via pushbutton or software-supported via HART interface and then via the device specific IODD within the FDT frame PACTware or via SPDU.

Technical data

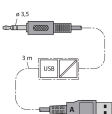
Output functions	
Flow monitoring	Analog output
Temperature monitoring	transistor output
Error monitoring	transistor output
Current range	4...20 mA / 20...4 mA parametrizable
Load	< 600 Ω
Characteristic	Output of probe signal, no linearization
Error recognition	NAMUR error limits
Switching characteristic	PNP
Switching state	active high / active low parametrizable (transistor output error monitoring only active low)
Switching voltage	20...30 VDC
Switching current	100 mA
Electrical connections	5-pole removable reverse polarity protected terminal blocks
Connection mode	screw connection
Terminal cross-section	≥ 1.5...≤ 2.5 mm ²
Communication modes	Tool based engineering via DTM
Tests/approvals	
Device marking	Ex II (1) G [Ex ia Ga] IIC resp. II (1) D [Ex ia Da] IIIC
EX type-examination certificate	TÜV 11 ATEX 078981
IECEX certificate of conformity	IECEX TUN 11.0005
Declaration of conformity EN ISO/IEC	5108M
Approvals	CE, C-UL U.S. submitted
Electromagnetic compatibility (EMC)	Acc. to NE21
Relative humidity	EN 60068-2-38
Mechanical data	
Design	Signal processor
Dimensions	89 x 110 x 27 mm
Housing material	Polycarbonate/ABS
Ambient temperature	-25...+70 °C
Mounting type	DIN rail mounting and mounting panel
Protection class	IP20
MTBF	108 Years

LED display

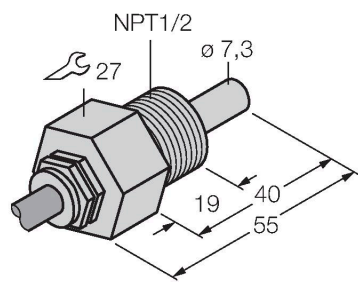
LED	Color	Status	Description
Pwr	green	on	Operating voltage applied Device ready for operation
		flashing	Operating voltage applied HART communication active
Flow	yellow	on	Active current output
		flashing	Teach mode / display of diagnostic data for specification see manual
Temp	yellow	off	Switching output media temperature [low]
		on	Switching output media temperature [high]
		flashing	Teach mode / display of diagnostic data for specification see manual
Fault	Red	Off	Switching output fault [high]
		On	Switching output flow [low] (for error pattern in combination with LEDs see manual)

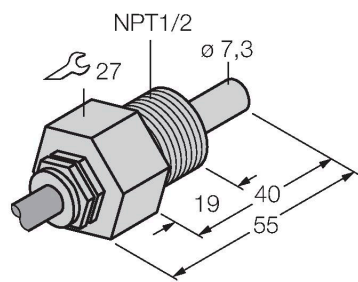
For detailed description of the display patterns and flashing codes see instruction manual FM-IM/FMX-IM

Accessories

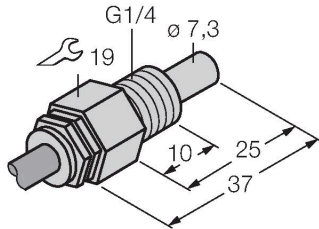
Dimension drawing	Type	ID	
	IM-PROG III	7525111	USB-compatible programming adapter for the FDT/DTM-based parametrization of HART-capable Turck devices; galvanic separation between the device to be parametrized and the PC

Accessories

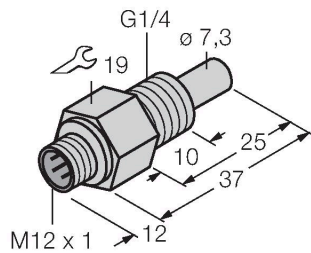
Dimension drawing	Type	ID	
	FCS-N1/2A4-NAEX0	6870471	Sensor according to category II 1 G for liquid media



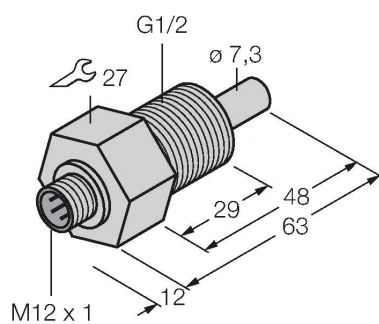
Dimension drawing	Type	ID	
	FCS-G1/4A4-NAEX0	6870465	Sensor according to category II 1 G for liquid media



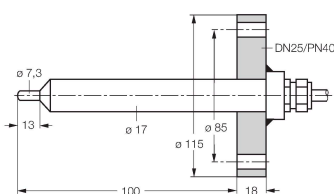
FCS-G1/4A4-NAEX-H1141	6870341	Sensor according to category II 2 G for liquid media
-----------------------	---------	--



FCS-GL1/2A4-NAEX-H1141	6870432	Sensor according to category II 2 G for liquid media
------------------------	---------	--



FCS-DN25A4-NAEX0/L100	6872035	Sensor according to category II 1 G for liquid media
-----------------------	---------	--



Instructions for use

Intended use

This device fulfills the directive 2014/34/EC and can be applied in explosion hazardous areas according to EN60079-0, EN60079-11 and EN61241-11 as associated equipment for connection to intrinsically safe flow sensors. In order to ensure that the device is operated as intended, the national regulations and directives must be observed.

For use in explosion hazardous areas conform to classification

II (1) G and II (1) D (Group II, Category (1) G, electrical equipment for gas-atmospheres and category (1) D, electrical equipment for dust atmospheres)

Marking (see device or technical data sheet)

Ex II (1) G [Ex ia Ga] IIC T4 acc. to EN60079-11 and EN60079-0/61241-11 and Ex II (1) D [Ex ia Da] IIIC
Ex II 1 G and EEx ia IIC T4 acc. to EN50020 and EN50284 and Ex II 1 D IP67 T 115 °C acc. to EN50281-1-1

Local admissible ambient temperature

-25...+70 °C

Installation/Commissioning

These devices may only be installed, connected and operated by trained and qualified staff. Qualified staff must have knowledge of protection classes, directives and regulations concerning electrical equipment designed for use in explosion hazardous areas. Please verify that the classification and the marking on the device comply with the actual application conditions.

This device is accessory equipment which features intrinsically safe circuits as well as non-intrinsically safe circuits. It may only be installed outside the explosion hazardous area in dry, clean and well monitored areas. If a declaration of conformity or declaration of the manufacturer as a category 3 device exists, the device may be installed in zone 2. Special conditions for safe operation must be observed. Intrinsically-safe electrical equipment can be connected to the intrinsically-safe connections. All equipment must comply with the demands for operation in the existing zone of the explosion hazardous area. If the intrinsically safe circuits lead to the dust explosion hazardous zones 20 or 21, it is important to ensure that the devices connected to this circuit fulfil the demands for category 1D or 2D and are certified accordingly. If the equipment is interconnected, it is necessary to perform the "Proof of intrinsic safety" (EN 60079-14). Equipment which has been used once to connect intrinsically safe circuits to non-intrinsically safe circuits is no longer suitable for subsequent use with intrinsically safe circuits. Relevant regulations exist for the establishment of intrinsically-safe circuits, mounting of external connection parts as well as the characteristics and laying of cables. Cables and terminals with intrinsically-safe circuits must be marked. They should be separated from non-intrinsically safe circuits or must feature appropriate insulation (EN 60079-14). Observe the prescribed clearances to earthed components and connections of other devices to the intrinsically-safe connections of this device. Unless expressed specifically in the device-specific operating instructions, the approval becomes void if the device is opened, repaired or actions are performed on the device by someone other than approved experts or the manufacturer. Visible changes to the device housing, such as brown-black discolourations caused by heat, as well as holes or bulges also indicate a serious danger. Switch off the device immediately. With the associated electrical equipment the interconnected intrinsically-safe equipment must also be checked. Inspection of a device with regard to the explosion protection can only be performed by an expert or the manufacturer. The operation of the devices is only permitted in conjunction with the permitted data printed on the side of the housing. Before any commissioning or modification of the device interconnections, ensure that the respective regulations, directives and conditions have been complied with and also ensure that use is only for the intended purpose and the safety requirements have been fulfilled. After connection to other circuits the sensor may no longer be used in Exi installations. When interconnected to (associated) electrical equipment, it is required to perform the "Proof of intrinsic safety" (EN60079-14).

Installation and mounting instructions

Avoid static charging of cables and plastic devices. Please only clean the device with a damp cloth. Do not install the device in a dust flow and avoid build-up of dust deposits on the device. If the devices and the cable could be subject to mechanical damage, they must be protected accordingly. They must also be shielded against strong electro-magnetic fields. The pin configuration and the electrical specifications can be taken from the device marking or the technical data sheet. In order to avoid contamination of the device, please remove possible blanking plugs of the cable glands or connectors only shortly before inserting the cable or opening the cable socket.

Special conditions for safe operation

The device must be protected against any kind of mechanical damage.

Service/Maintenance

Repairs are not possible. The approval expires if the device is repaired or modified by a person other than the manufacturer. The most important data from the approval are listed.