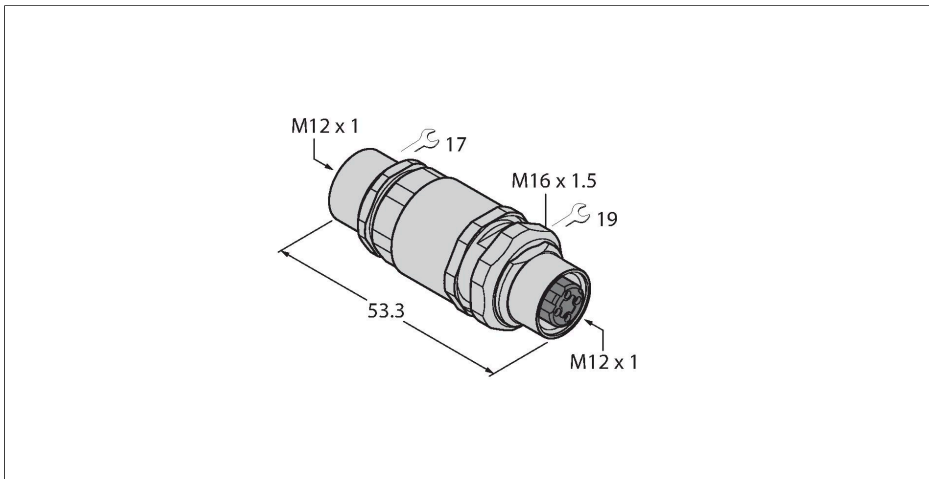


FKSD-FKSD-44

Accessories for Fieldbus Systems – Ethernet Adapter and Wall Feedthrough M12 Female Connector



Technical data

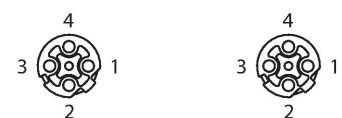
Type	FKSD-FKSD-44
ID	6935264
Connector A	Female, M12 × 1, Straight
Number of pins	4
Contacts	Brass, CuZn, Gold-plated
Contact carriers	Plastic, PBT GF, Green
Connector body	CuZn, nickel-plated
Coupling nut/screw	CuZn, Nickel-plated
Flange housing	Brass, CuZn, Nickel-plated
Tightening torque (range)	1 ... 1.2 Nm (observe max. torque of mating connector!)
Screw-in thread	M16 × 1.5
Mechanical lifespan	> 100 Mating cycles
Pollution degree	3/2
Protection class	IP67, Only in screwed condition
Network protocol	Ethernet
Electrical properties at +20 °C	
Rated voltage	48 V
Current	4 A
Mechanical and chemical properties	
Ambient temperature (fixed)	-30...+85 °C

Features



- For Industrial Ethernet
- M12 × 1 female on M12 × 1 female, 4-pin
- Mounting thread: M16 × 1.5
- D-coding
- Voltage: 48 V
- Ampacity: 4 A
- Temperature: -30...+85 °C
- Protection class: IP67

Contact assignment



Circuit Diagram

