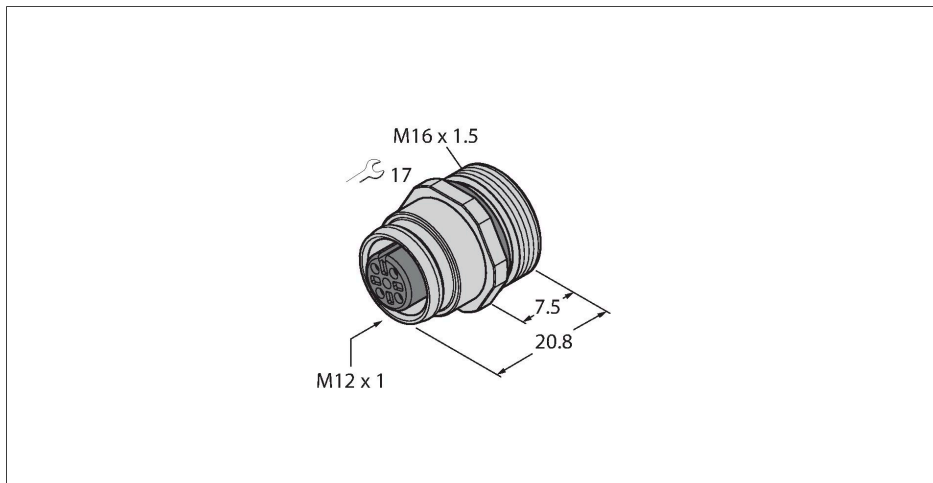


EC-FKE3-L/16

Female Flange with Solder Contacts, Front-mounted

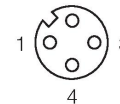


Features

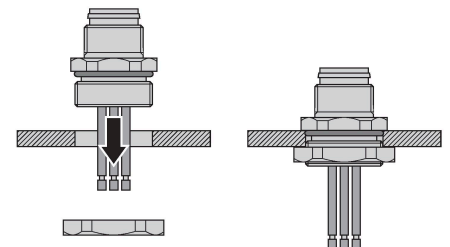


- M12 × 1 female receptacle
- Protection class IP67
- Stainless steel receptacle housing
- Front panel mounting
- Connected via solder contacts

Contact assignment



Front panel mounting



Technical data

Type	EC-FKE3-L/16
ID	6934629
Connector A	Female, M12 × 1, Straight, A-coded
Number of pins	3
Contacts	Brass, CuZn, Gold-plated
Contact carriers	Plastic, TPU, Black
Seal	Plastic, FPM/FKM
Flange housing	Stainless Steel, 1.4404 (AISI 316L)
Mounting type	front panel mounting
Screw-in thread seal	Plastic, NBR
Screw-in thread	M16 × 1.5
Connection mode	Solder contact
Mechanical lifespan	> 100 Mating cycles
Pollution degree	3
Protection class	IP67, (screwed together)
Electrical properties at +20 °C	
Rated voltage	250 V
Current	4 A
Insulation resistance	≥ 10 ⁸ Ω
forward resistance	≤ 5 mΩ
Mechanical and chemical properties	
Ambient temperature (fixed)	-30...+90 °C
Approvals	CE