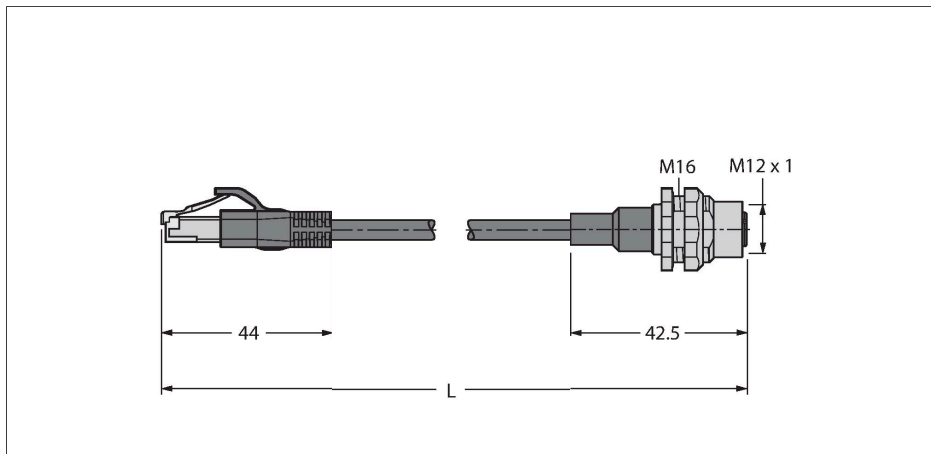


# RJ45S-FKSDD-4414-7.5M

## Industrial Ethernet Cable – Extension Cable



### Features

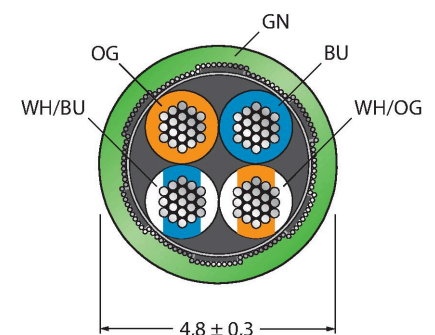


- Ethernet cable: 4-pin, AWG 26
- CAT 5E acc. to ISO/IEC 11801, EN 50173, EIA/TIA 568-A
- Jacket material: PUR
- Jacket color: green
- Shielding: aluminum-laminated polyester film, copper braid
- Jacket diameter: 4.8 mm
- Suitable for drag chain use
- UV resistant
- Oil resistant acc. to IEC 60811-2-1 and DIN VDE 0282 part 10
- Free from silicone, PVC and LABS
- Free from halogen acc. to IEC 60754-2
- Flame retardant acc. to IEC 60332-1-2
- Approval: cULus
- RoHS compliant
- Protection class IP67
- M12 female flange, straight
- RJ45 male connector, straight, 4-pin
- Cable length: 7.5 m

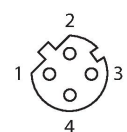
### Technical data

|                     |   |
|---------------------|---|
| Type                | RJ45S-FKSDD-4414-7.5M                                   |
| ID                  | 6934092   |
| Connector A         | Male, RJ45, Straight                                    |
| Number of pins      | 4   |
| Contacts            | Metal, CuZn, Gold-plated                                |
| Contact carriers    | Plastic, PC   |
| Connector body      | Plastic, TPU, Black                                     |
| Mechanical lifespan | > 100 Mating cycles                                     |
| Pollution degree    | 3/2   |
| Protection class    | IP20, Only in screwed condition                         |
| Connector B         | Female, M12 × 1, Straight, D-coded                      |
| Number of Pins      | 4   |
| Contacts            | Brass, CuZn, Gold-plated                                |
| Contact carriers    | Plastic, PBT GF, Green                                  |
| Connector body      | Brass, CuZn, Black                                      |
| Seal                | Plastic, FPM/FKM  |
| Tightening torque   | 1 ... 1.2 Nm (observe max. torque of mating connector!) |
| Mechanical life     | > 100 Mating cycles                                     |
| Pollution degree    | 3/2   |
| Protection class    | IP67, Only when screwed together                        |
| Cable               |   |
| Network protocol    | Ethernet, 4414  |
| Cable diameter      | Ø 4.8 mm ±0.30  |
| Cable length        | 7.5 m   |
| Cable jacket        | PUR, Green  |
| Shielding           | Aluminum foil, tinned copper wire                       |
| Core insulation     | PP  |

### Cable Cross-Section



### Contact assignment



### Heading wiring diagram 3

Pin Assignment Right

## Technical data

|   |                          |
|---|--------------------------|
| Core cross-section                        | 4 x 0.15 mm <sup>2</sup> |
| Arrangement of strands                    | 19 x 0.102 mm            |
| Core colors                               | WHOG, WHBU, BU, OG       |
| <b>Electrical properties at +20 °C</b>    |                          |
| Rated voltage                             | 42 V                     |
| Test voltage                              | 700 V                    |
| Current                                   | 1.5 A                    |
| Nom. impedance                            | 100 Ω (1MHZ)             |
| Nom. capacitance                          | 51 pF/m                  |
| <b>Mechanical and chemical properties</b> |                          |
| Bending radius (stationary installation)  | ≥ 15 x Ø                 |
| Bending cycles                            | ≥ 5 million              |
| Torsional stress                          | ± 30 °/m                 |
| Torsion cycles                            | Max. 100,000             |
| Ambient temperature (fixed)               | -40...+80 °C             |
| Ambient temperature (mobile)              | -25...+80 °C             |
| <b>Other Features</b>                     |                          |
| Qualified for drag chain use              | yes                      |
| Halogen-free                              | yes                      |
| Silicone-free                             | yes                      |
| PVC-free                                  | yes                      |
| Resistant to weld splatter                | yes                      |
| Resistant to chemicals                    | yes                      |
| UV resistance                             | yes                      |
| Oil-resistant                             | yes                      |
| Flame-retardant                           | yes                      |
| Approvals                                 | cULus                    |

## Circuit Diagram

