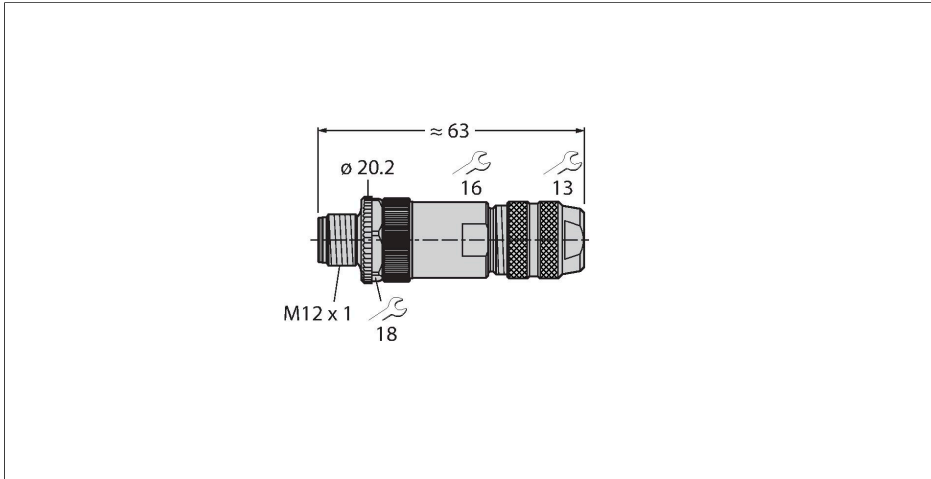


# CMBS8151-0

## Field-Wireable Connector

### Male Connector M12 × 1, Straight



#### Technical data

|   |  |
|---|--|
| Type                                      | CMBS8151-0                                 |
| ID  | 6930161                                    |
| Connector A                               | Male, M12 × 1, Straight, A-coded           |
| Number of Pins                            | 5  |
| Contacts                                  | CuZn, Gold-plated                          |
| Contact carriers                          | Plastic, PA, Black                         |
| Connector body                            | Die-cast Zinc, GD-Zn, nickel-plated, Black |
| Coupling nut/screw                        | Die-cast Zinc, GD-Zn, Nickel-plated        |
| External diameter of the cable            | 6...8 mm                                   |
| Core cross-section/Clamping ability       | 0.14...0.75 mm <sup>2</sup>                |
| Connection mode                           | Screw/clamp connection                     |
| Mechanical lifespan                       | > 100 Mating cycles                        |
| Protection class                          | IP67, (screwed together)                   |
| <b>Electrical properties at +20 °C</b>    |  |
| Rated voltage                             | 125 V                                      |
| Current                                   | 4 A  |
| Insulation resistance                     | ≥ 10 <sup>8</sup> Ω                        |
| forward resistance                        | ≤ 3 mΩ                                     |
| <b>Mechanical and chemical properties</b> |  |
| Ambient temperature range (stationary)    | -40...+85 °C                               |

#### Features



- A-coding
- Metal housing
- Shieldable
- Shield ring
- Die-cast threaded ring
- Screw-clamp terminal
- A-coding
- 5-pin
- Cable feedthrough 6...8 mm
- Core cross-section 0.14...0.75 mm<sup>2</sup>

#### Contact assignment

