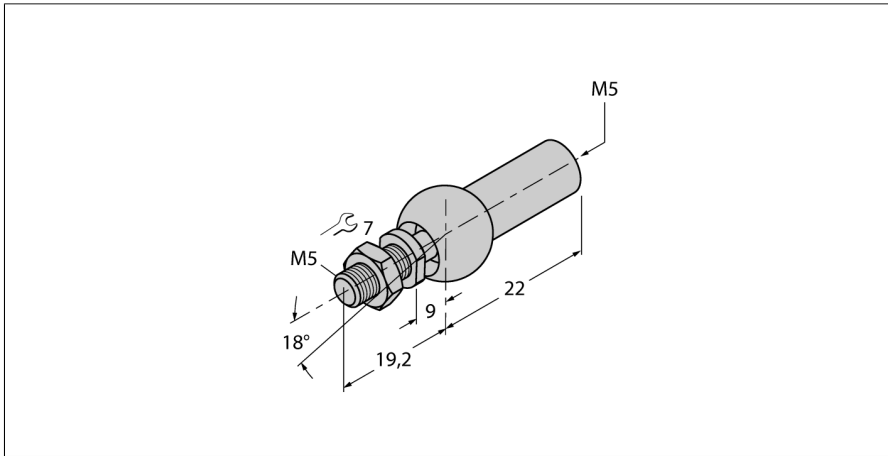


Accessories

Axial Joint for Guided Positioning Element AB-M5

- Axial joint for M5 thread



Type	AB-M5
ID	6901057
Housing material	Metal