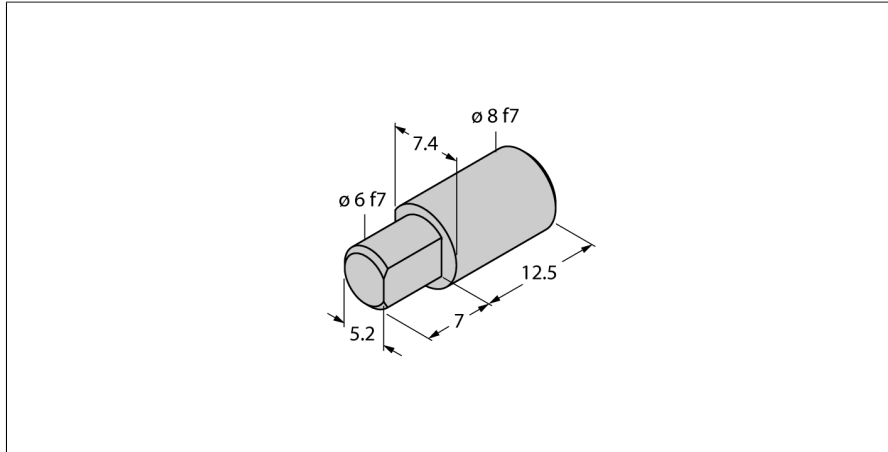


## Accessories

### Adapter Hollow Shaft/Solid Shaft

### For Angle Sensors RI-QR14

### HSA-M8-QR14



- Adapter pin for solid shaft
- Ø 8 mm

Type	HSA-M8-QR14
ID	6901052
Housing material	Aluminium