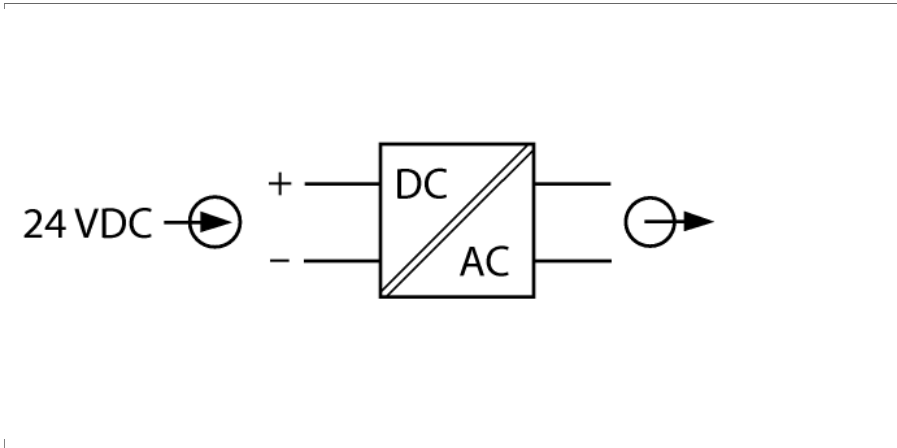


excom I/O System

Power Supply Module, 24 VDC, Zone 2

PSM24-3G



The PSM24... power supply module supplies the excom system with power to the full extension. The power supply module can be used in Zone 2.

The supply voltage is 24 VDC.

Powered with 24 VAC. The external power supply is hooked up to Ex e clamps at the module rack. Any contact with the clamps in energized state should be avoided. They are located below a closure cap. Switch off power before contact.

Redundancy:

Two power supply units can be installed in combination with a suitable module rack. In case of power cut or failure of one device, the second unit provides the power for the whole system. Different potentials can be supplied.



- DC power supply module, supplies a module rack in zone 2

Dimensions

Type	PSM24-3G
ID	6881722
Nominal voltage	24 VDC
Operating voltage U_o	19.2...32 VDC
Power consumption	≤ 66.5 W
Output power	≤ 60 W
Galvanic isolation	Galvanically isolated input and output circuit, rated voltage 40 V
Ex approval acc. to conformity certificate	IECEX PTB 18.0044X
Ex approval acc. to conformity certificate	PTB 12 ATEX 2009
Device designation	Ⓔ II 3 (2) G Ex nAc ic [ib] IIC T4
Displays/Operating elements	
Operational readiness	1 × green
Error indication	1 x red
Electrical connection	
Terminal cross-section	2.5 mm ² flexible/4.0 mm ² rigid
Housing material	
Connection mode	module, plugged on rack
Protection class	IP20
Ambient temperature	-20...+70 °C
Relative humidity	≤ 93 % at 40 °C acc. to IEC 60068-2-78
Vibration test	Acc. to IEC 60068-2-6
Shock test	Acc. to IEC 60068-2-27
EMC	Acc. to EN 61326-1 Acc. to Namur NE21
MTTF	61 years acc. to SN 29500 (Ed. 99) 40 °C
Dimensions	18 x 118 x 106 mm
Approvals	
	ATEX IECEX CCC INMETRO KOSHA EAC Ex CE

