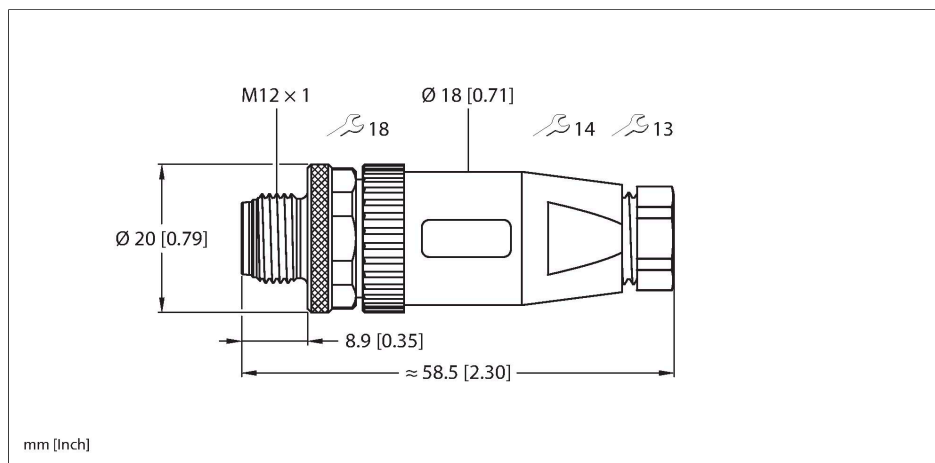


WAS5-THERMO

Field-Wireable Connector – M12 × 1 Round Connector with Pt1000 Sensor



Technical data

Type	WAS5-THERMO
ID	6824260
Connector A	Male, M12 × 1, Straight
Number of Pins	5
Contacts	Metal, CuZn, Gold-plated
Contact carriers	Plastic, PA, Black
Connector body	Plastic, PA, Black
Coupling nut/screw	CuZn, Nickel-plated
External diameter of the cable	3...6.5 mm
Core cross-section/Clamping ability	max. 0.75 mm ²
Connection mode	Screw/clamp connection
Pollution degree	3
Protection class	IP67, (screwed together)
Electrical properties at +20 °C	
Rated voltage	60 V
Insulation resistance	≥ 10 ⁸ Ω
forward resistance	≤ 5 mΩ
Mechanical and chemical properties	
Ambient temperature (mobile)	-25...+90 °C
Oil-resistant	yes

Features

- Accessories for thermocouple module
- Terminating resistor
- M12 × 1 round connector
- For cold junction compensation
- Integrated Pt1000 sensor

Headline Wiring Diagram

Pin Assignment

