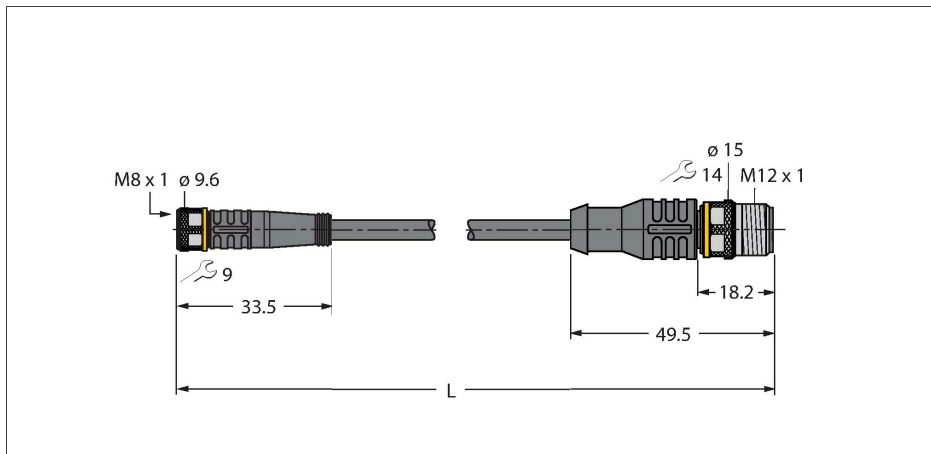


# PKG4M-10-RSC4T/TXL

## Actuator and Sensor Cable, PUR – Extension Cable



### Technical data

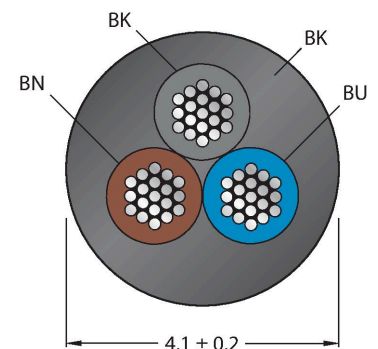
|                              |  |
|------------------------------|--|
| Type                         | PKG4M-10-RSC4T/TXL   |
| ID                           | 6631879  |
| Connector A                  | Female, M8 × 1, Straight                                     |
| Number of pins               | 4  |
| Contacts                     | Brass, CuZn, Gold-plated                                     |
| Contact carriers             | Plastic, TPU, Black  |
| Connector body               | Plastic, TPU, Black  |
| Coupling nut/screw           | Brass, CuZn, Nickel-plated                                   |
| Seal                         | Plastic, FPM/FKM   |
| Tightening torque (range)    | 0.5 ... 0.6 Nm<br>(observe max. torque of mating connector!) |
| Mechanical lifespan          | > 100 Mating cycles  |
| Pollution degree             | 3  |
| Protection class             | IP67, IP69K, Only in screwed condition                       |
| Connector B                  | Male, M12 × 1, Straight, A-coded                             |
| Number of Pins               | 3  |
| Contacts                     | Brass, CuZn, Gold-plated                                     |
| Contact carriers             | Plastic, TPU, Black  |
| Connector body               | Plastic, TPU, Black  |
| Coupling nut/retaining screw | Brass, CuZn, Nickel-plated                                   |
| Mechanical life              | > 100 Mating cycles  |
| Pollution degree             | 3  |
| Protection class             | IP67, IP69K, Only when screwed together                      |
| Cable                        |  |
| Cable diameter               | Ø 4.1 mm ±0.20   |
| Cable length                 | 10 m   |

### Features



- Female M8, straight, 4-pin
- Male M12, straight, 3-pin
- Jacket material: PUR
- Jacket color: black
- Suitable for drag chain use
- Resistant to chemicals, UV radiation and oils
- Flame retardant (FT2 acc. to UL 1581, IEC 60332-2-2)
- Resistant to welding sparks
- Free from halogen, silicone, PVC and LABS
- Particularly resistant to abrasion
- Protection class: IP67, IP69K
- Cable length: 10 m

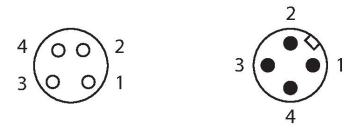
### Cable Cross-Section



### Contact assignment

## Technical data

|   |  |
|---|--|
| Cable jacket                              | PUR, Black                             |
| Core insulation                           | PP                                     |
| Core cross-section                        | 3 x 0.34 mm <sup>2</sup>               |
| Arrangement of strands                    | 42 x 0.1 mm                            |
| Core colors                               | BN, BU, BK                             |
| <b>Electrical properties at +20 °C</b>    |  |
| Rated voltage                             | 50 V <sub>AC</sub> /60 V <sub>DC</sub> |
| Test voltage                              | 2000 V                                 |
| Current                                   | 4 A                                    |
| Insulation resistance                     | > 30.5 MΩ/km                           |
| forward resistance                        | max. 57 Ω/km                           |
| <b>Mechanical and chemical properties</b> |  |
| Bending radius (stationary installation)  | ≥ 5 x Ø                                |
| Bending radius (flexible use)             | ≥ 10 x Ø                               |
| Bending cycles                            | ≥ 5 million                            |
| Admissible acceleration                   | max. 5 m/s <sup>2</sup>                |
| Admissible travel path, horizontal        | 5 m (at 5 m/s <sup>2</sup> )           |
| Admissible travel path, vertical          | 2 m (at 5 m/s <sup>2</sup> )           |
| Admissible traversing speed               | 3.3 m/s                                |
| Torsional stress                          | ± 180 °/m                              |
| Ambient temperature (fixed)               | -50...+80 °C                           |
| Ambient temperature (mobile)              | -25...+80 °C                           |
| Ambient temperature (drag chain)          | -25...+60 °C                           |
| Approvals                                 | cULus                                  |



## Circuit Diagram

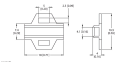


## Accessories

|   |         |   |         |
|---|---------|---|---------|
| <b>TORQUE-WRENCH-SET-AS</b>   | 6936170 | <b>BLANK-LABEL-FOR-CORDSETS-TEL-TXL</b>   | 6936206 |
| Torque wrench set; handles with adjustable torque 0.4-1.0 Nm, torque wrench for M8 (SW9), fork wrench for M12 (SW 14) |         | Label for TEL and TXL cables, length: 18 mm, height: 4 mm, material: polycarbonate (PC), color: white, halogen-free and flame-retardant |         |



## Accessories

| Dimension drawing   | Type                  | ID        |  |
|---|-----------------------|-----------|--|
|  | LABEL-HOLDER-FLEX-PVC | 100048170 | PVC label holder for identification of extension cables (TEL/TXL product series); for cable diameters: min. 5 mm; dimensions 4 x 18 mm; delivery unit: 50 pcs. per package |