

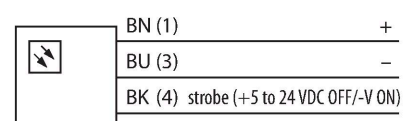
LEDBRV62X62M

Vision System – Ring Light

Features

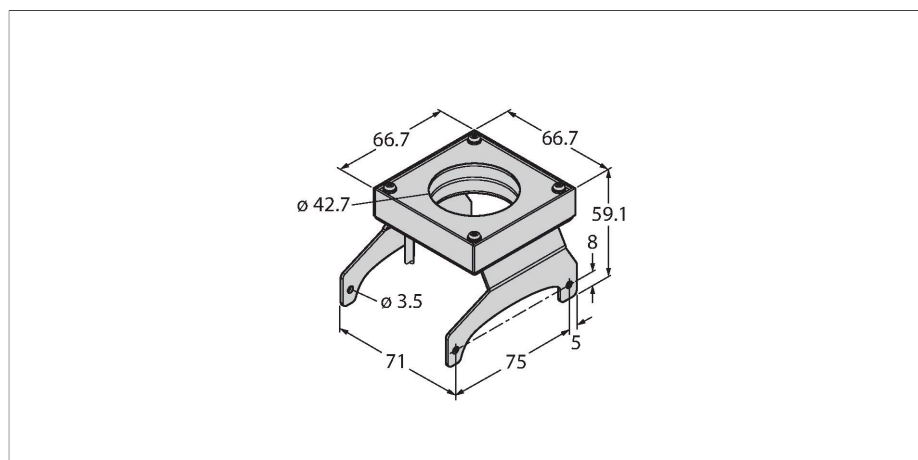
- Close-range illumination
- Protection class: IP50
- Color: blue
- Power Supply: 24 VDC
- Fixed set light intensity

Wiring diagram



Functional principle

Direct mounting on VE smart camera for easy setup. Illumination of objects directly in front of the sensor.



Technical data

Type	LEDBRV62X62M
ID	3097381
Signal and display data	
Purpose	Image processing
Function	Area light
Light type	Blue
Wavelength	465...485 nm
Features of color 1	Blue
Electrical data	
Operating voltage U_b	21.6...26.4 VDC
DC rated operating current I_o	≤ 130 mA
Max. current consumption per color	130 mA
Mechanical data	
Design	Rectangular
Dimensions	66.7 x 66.7 x 104.1 mm
Housing material	Metal, AL
Window material	Acrylic
Electrical connection	Cable with connector, M8 x 1, 0.3 m, PVC
Number of cores	3
Ambient temperature	0...+50 °C
Protection class	IP50
Tests/approvals	
Approvals	CE, cULus listed