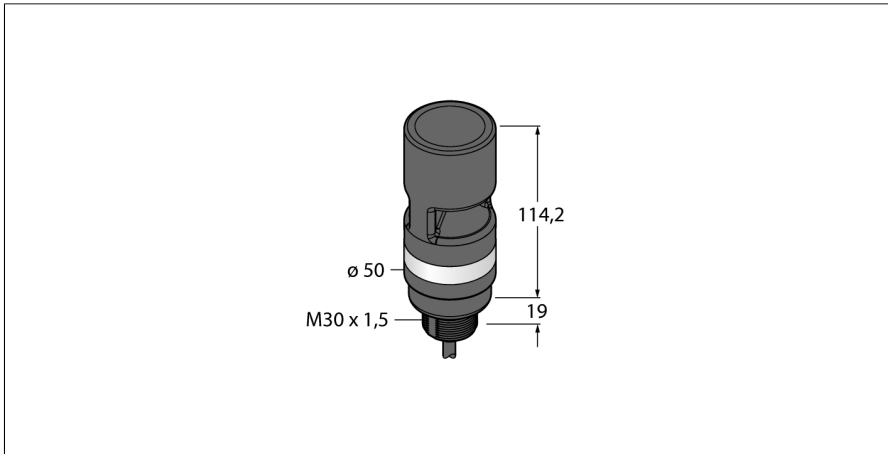
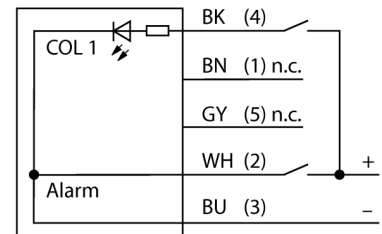


LED Signal Light Tower Light TL50BLY1AOSC



- Plastic housing, gray
- Protection class IP67
- Protection against electromagnetic and high-frequency interference
- Monochrome: Yellow rotating (COL 1)
- Operating voltage: 12...30 VDC or 24 VAC with 45 mA per LED color
- Inputs: PNP/NPN
- Beeper: Omnidirectional, sealed, continuous tone max. 99 dB

Wiring Diagram



Functional principle

The rugged multifunction TL50 beacon is available in many variations and is easily mounted. Each signal tower can be assembled from a maximum of four varicolored LEDs, with or without a beeper. You can also choose from three different lighting functions (steady, rotating, flashing). The lighting function is indicated in the type code after the color (no number: steady; 1: rotating; 2: flashing). Clearly visible status displays for indoor and outdoor applications.

The wiring diagram shows a PNP pin assignment.

5 colors are available, blue (B), green (G), red (R), yellow (Y) and white (W), which specify the light sequence from bottom to top in the type designation of the tower light. Example: TL50GYRQ, designates the colors green, yellow and red from bottom to top.

Type	TL50BLY1AOSC
ID	3094128
Signal and display data	
Purpose	LED indicator light
Function	Tower light
Light type	Yellow
Dimmable	No
Features of color 1	Yellow, Rotating, 15 lm
Acoustic signal	Continuous tone, 99dB
Electrical data	
Operating voltage U_b	12...30 VDC
DC rated operating current I_a	≤ 125 mA
Operating voltage U_b	21...27VAC
AC rated operational current	≤ 100 mA
Max. current consumption per color	125 mA
Max. current consumption of beeper	45 mA
Input type	Bipolar (PNP/NPN)
Response time typical	< 1 ms
Mechanical data	
Cascadable	No
Design	Smooth barrel, TL50BL
Dimensions	Ø 50 x 133.3 mm
Housing material	Plastic, ABS
Window material	Polycarbonate, clear
Electrical connection	Cable, 2 m, PVC
Number of cores	4
Ambient temperature	-20...+50 °C
Relative humidity	0...95%
Protection class	IP67
Tests/approvals	
Approvals	CE, UL listed

Accessories

Type code	Ident no.		Dimension drawing
SMB30A	3032723	Mounting bracket, rectangular, stainless steel, for sensors with 30mm thread	
SMB30FA	3074005	Montagewinkel; Werkstoff VA 1.4401	
SMB30SC	3052521	Mounting bracket, PBT black, for sensors with 30 mm thread, rotatable	