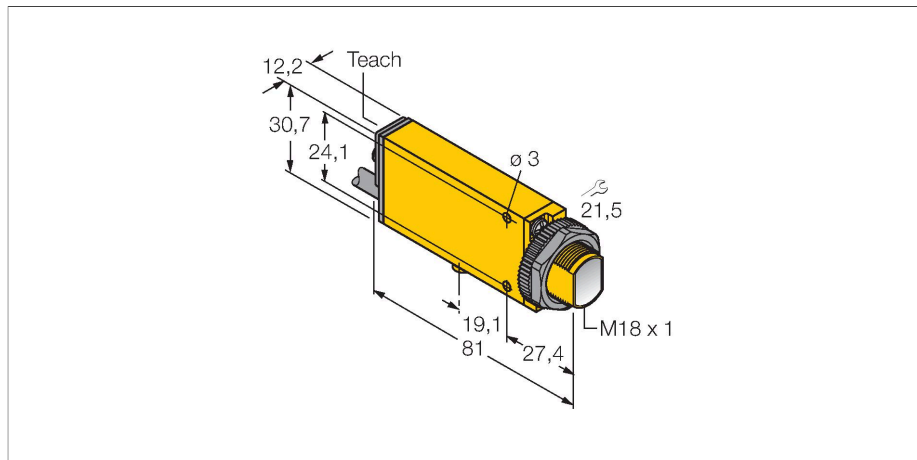


# SMU315FPQDP

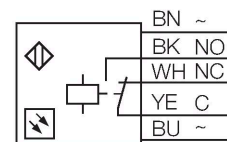
## Photoelectric Sensor – Photoelectric Sensor for Plastic Fibers



### Features

- Cable, PVC, 2 m
- Protection class IP67
- Sensitivity adjusted via potentiometer
- Alignment indicator
- Operating voltage: 24...240 VDC or 24...240 VAC
- Relay output

### Wiring diagram



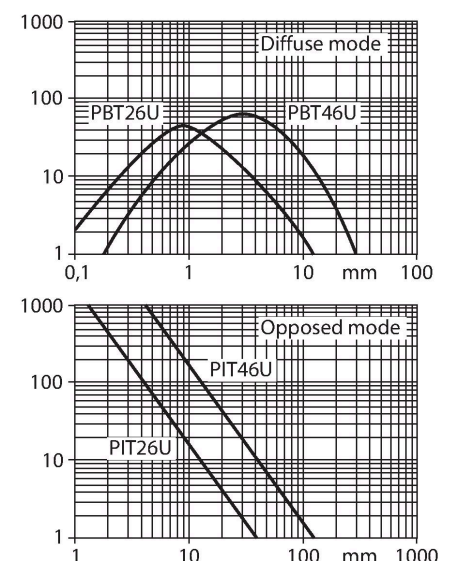
### Technical data

Type	SMU315FPQDP
ID	3077298
<b>Optical data</b>	
Function	Fiber optic sensor
Operating mode	Plastic fiber
Fiber-optic type	plastic
Light type	Red
Wavelength	650 nm
<b>Electrical data</b>	
Operating voltage	24...240 VDC
Operating voltage	24...240 VAC
DC rated operational current	≤ 3000 mA
AC rated operational current	≤ 3000 mA
Output function	NO/NC, Relay output
Switching frequency	≤ 25 Hz
Response time typical	< 20 ms
Max. DC switching capacity	1 W
Setting option	Potentiometer
<b>Mechanical data</b>	
Design	Rectangular, Mini Beam
Dimensions	81 x 12.3 x 30.7 mm
Housing material	Plastic, PBT, Yellow
Electrical connection	Cable with connector, 1/2", 0.15 m, PVC
Number of cores	5
Core cross-section	0.5 mm <sup>2</sup>
Ambient temperature	-20...+55 °C
Relative humidity	0...90 %

### Functional principle

Glass or plastic fibers are the optimum choice for high-temperature applications and limited spaces. Optical fibers transfer the light from the sensor to a remote object. Individual fibers are used for opposed sensing mode, whereas bifurcated fibers are suited for diffuse sensing mode.

Excess gain curve  
Excess gain in relation to distance



## Technical data

Protection class	IP67
Switching state	LED, Red
Excess gain indication	LED, red, flashing
Tests/approvals	
Approvals	CE, cURus, CSA

## Accessories

<p><b>SMB18A</b></p>	<p><b>3033200</b></p> <p>Mounting bracket, rectangular, stainless steel, for sensors with 18 mm thread</p>	<p><b>SMB18AFAM10</b></p>	<p><b>3012558</b></p> <p>Mounting bracket, material VA 1.4401, for M10 x 1.5 thread, thread length 18 mm</p>
<p><b>SMB18SF</b></p>	<p><b>3052519</b></p> <p>Mounting bracket, PBT black, for sensors with 18 mm thread, rotatable</p>	<p><b>SMB312B</b></p>	<p><b>3025519</b></p> <p>Mounting bracket, stainless steel, for MINI-BEAM NAMUR</p>
<p><b>SMB3018SC</b></p>	<p><b>3053952</b></p> <p>Mounting bracket, PTB black, for sensors with 18 mm thread</p>		