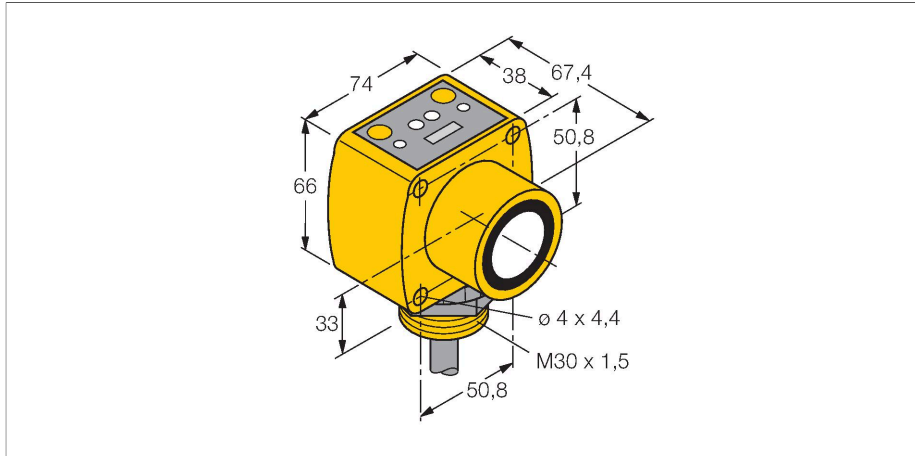


QT50UVR3W W/30

Ultrasonic Sensor – diffuse mode sensor

With Switching Outputs



Features

- LED indicates signal intensity
- Cable, PVC, 2 m, 5-wire
- Temperature compensation selectable via DIP switch
- Blind zone: 20 cm
- Range: 800 cm

Functional principle

Ultrasonic sensors detect a multitude of objects contactless and wear-free with ultrasonic waves. Regardless of whether the object is transparent or opaque, metallic or non-metallic, liquid, solid or powdery. Even environmental conditions such as spray, dust or rain hardly affect their function.

Technical data

Type	QT50UVR3W W/30
ID	3072478
Ultrasonic data	
Function	Proximity switch
Range	200...8000 mm
Ultrasound frequency	75 kHz
Repeatability	≤ ± 1 mm
Temperature drift	≤ 0.02 % of full scale/K
Edge lengths of the nominal actuator	500 mm
Electrical data	
Operating voltage U_b	85...265 VAC
Response time typical	< 100 ms
Readiness delay	≤ 1500 ms
Output function	2 x NO contact, PNP
Switching frequency	≤ 5 Hz
Short-circuit protection	yes
Mechanical data	
Design	Rectangular, QT50U
Radiation direction	straight
Dimensions	67.4 x 74 x 84.2 mm
Housing material	Plastic, PBT
Transducer material	Plastic, Epoxyd resin and PU foam
Electrical connection	Cable, 9 m, PVC
Ambient temperature	-20...+70 °C
Storage temperature	-40...+90 °C

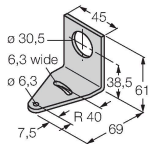
Technical data

Relative humidity	100 %
Protection class	IP67
Power-on indication	LED, Green
Switching state	LED, Yellow
Object detected	LED, Red
Tests/approvals	
MTTF	131 years acc. to SN 29500 (Ed. 99) 40 °C
Approvals	CE

Accessories

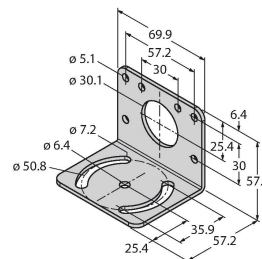
SMB30A **3032723**

Mounting bracket, rectangular, stainless steel, for sensors with 30mm thread



SMB30MM **3027162**

Mounting bracket, rectangular, stainless steel, for sensors with 30 mm thread, wide holes for accurate alignment



SMB30SC **3052521**

Mounting bracket, PBT black, for sensors with 30 mm thread, rotatable

