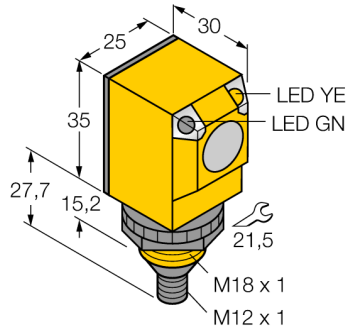


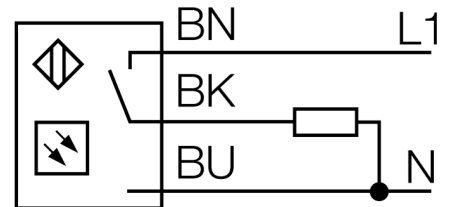
Photoelectric Sensor Retroreflective Sensor with Polarizing Filter Q25AW3LPQ3



| | |
|--------------------------------|---|
| Type | Q25AW3LPQ3 |
| ID | 3036961 |
| Optical data | |
| Function | Retroreflective Sensor |
| Operating mode | Polarized |
| Reflector included in delivery | no |
| Light type | Red polarized |
| Wavelength | 680 nm |
| Range | 50...2000 mm |
| Electrical data | |
| Operating voltage U_s | 20...250VAC |
| AC rated operational current | ≤ 200 mA |
| Output function | Light operation, Relay output |
| Switching frequency | ≤ 40 Hz |
| Readiness delay | ≤ 100 ms |
| Response time typical | < 16 ms |
| Mechanical data | |
| Design | Rectangular, Q25 |
| Dimensions | Ø 18 x 30 x 25 x 62.7 mm |
| Housing material | Plastic, Thermoplastic material |
| Lens | plastic, Acrylic |
| Electrical connection | Connector, M12 × 1, PVC |
| Number of cores | 5 |
| Ambient temperature | -40...+70 °C |
| Protection class | IP69 |
| Special features | |
| | Chemical-resistant Encapsulated Wash down |
| Power-on indication | LED, Green |
| Switching state | LED, Yellow |
| Excess gain indication | LED |
| Tests/approvals | |
| Approvals | CE, UL, CSA |

- M12 × 1 male connector, 4-pin
- Protection classes IP67/IP69K
- Ambient temperature: -40 °C...+70 °C
- Selectable light/dark operation or light operation with alarm function

Wiring Diagram

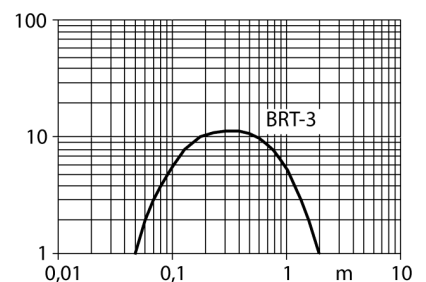


Functional principle

Retro-reflective sensors incorporate emitter and receiver in a single compact housing. The light beam of the emitter is directed towards a reflector which returns the light back to the receiver. An object is detected when it interrupts this beam. Retro-reflective sensors have a high function gain and good contrast performance. Further it is merely required to install and wire a single device.

Excess gain curve

Excess gain in relation to the distance



Accessories

| Type code | Ident no. | | Dimension drawing |
|-------------|-----------|---|-------------------|
| SMB18A | 3033200 | Mounting bracket, rectangular, stainless steel, for sensors with 18 mm thread | |
| SMB18AFAM10 | 3012558 | Mounting bracket, material VA 1.4401, for M10 x 1.5 thread, thread length 18 mm | |
| SMB18SF | 3052519 | Mounting bracket, PBT black, for sensors with 18 mm thread, rotatable | |

Function accessories

| Type code | Ident no. | | Dimension drawing |
|-----------|-----------|---|-------------------|
| BRT-3 | 3016164 | Round reflector, reflection coefficient 1.0, material acrylic, ambient temperature -20...+60 °C | |