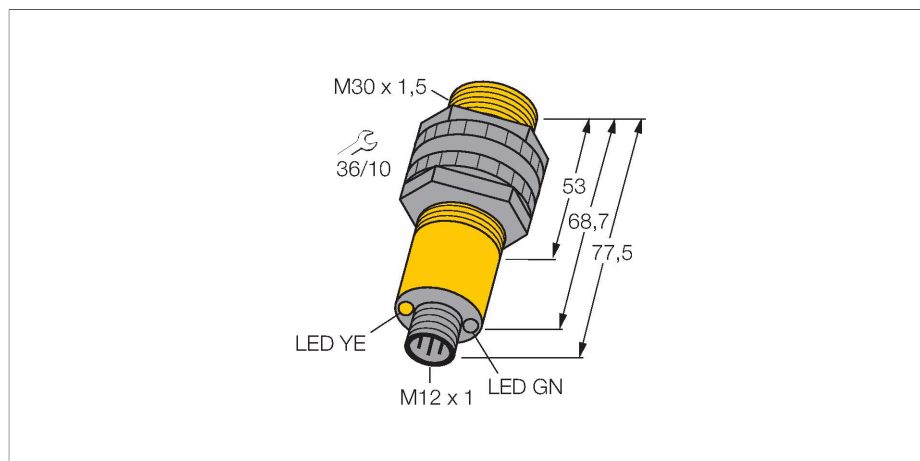


# S30SP6FF600Q

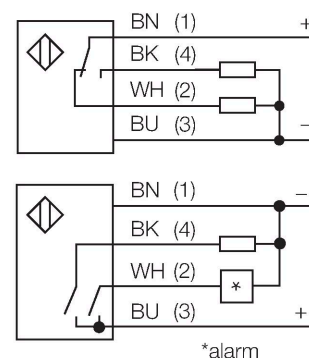
## Photoelectric Sensor – Diffuse Mode Sensor with Fixed-Field Background Suppression



### Features

- M12 × 1 male connector, 4-pin
- Protection classes IP67/IP69K
- Ambient temperature: -40 °C...+70 °C
- Operating voltage: 10...30 VDC
- PNP switching output, changeover

### Wiring diagram



### Technical data

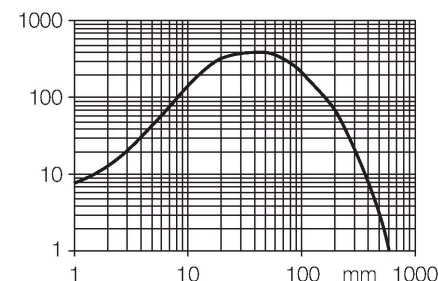
Type	S30SP6FF600Q
ID	3034346
<b>Optical data</b>	
Function	Proximity switch
Operating mode	Background suppression, non-adjustable
Light type	IR
Wavelength	880 nm
Range	0...600 mm
<b>Electrical data</b>	
Operating voltage	10...30 VDC
No-load current	≤ 35 mA
Short-circuit protection	yes / Cyclic
Reverse polarity protection	yes
Output function	Connection programmable, PNP
Switching frequency	≤ 160 Hz
Readiness delay	≤ 100 ms
Response time typical	< 3 ms
Overcurrent release	> 220 mA
<b>Mechanical data</b>	
Design	Tube, S30
Dimensions	Ø 30 x 77.5 mm
Housing material	Plastic, Thermoplastic material
Lens	plastic, Acrylic
Electrical connection	Connector, M12 × 1, PVC
Number of cores	4
Ambient temperature	-40...+70 °C

### Functional principle

The emitter and receiver are incorporated in a single housing. The light reflection of the target is detected and triggers the sensor to switch. Thus the switching distance largely depends on the reflectivity of the target.

Excess gain curve

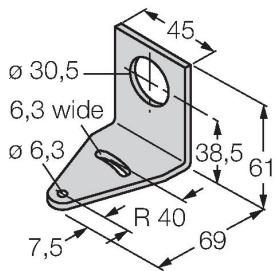
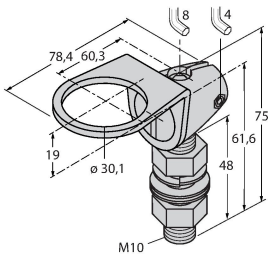
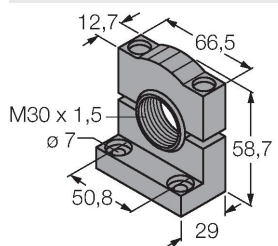
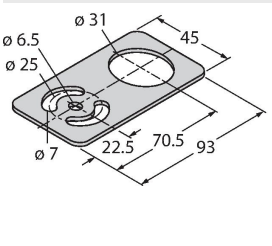
Excess gain in relation to the distance



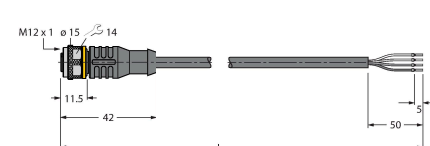
## Technical data

Protection class	IP69
Special features	Encapsulated Wash down
Power-on indication	LED, Green
Switching state	LED, Yellow
Error indication	LED, green, Flashing
Excess gain indication	LED
Alarm display	LED yellow Flashing
<b>Tests/approvals</b>	
MTTF	448 years acc. to SN 29500 (Ed. 99) 40 °C
Approvals	CE, UL, CSA

## Accessories

<b>SMB30A</b>  <p>Mounting bracket, rectangular, stainless steel, for sensors with 30mm thread</p>	<b>3032723</b>	<b>SMB30FAM10</b>  <p>Mounting bracket, stainless steel, for M10 x 1.5 thread, thread length 30 mm</p>	<b>3011185</b>
<b>SMB30SC</b>  <p>Mounting bracket, PBT black, for sensors with 30 mm thread, rotatable</p>	<b>3052521</b>	<b>SMBAMS30P</b>  <p>Mounting bracket, stainless steel, for sensors with 30 mm thread</p>	<b>3073135</b>

## Accessories

Dimension drawing	Type	ID	
	RKC4.4T-2/TEL	6625013	Connection cable, female M12, straight, 4-pin, cable length: 2 m, sheath material: PVC, black; cULus approval; other cable lengths and qualities available, see <a href="http://www.turck.com">www.turck.com</a>

## Dimension drawing

## Type

WKC4.4T-2/TEL

## ID

6625025

Connection cable, female M12, angled,  
4-pin, cable length: 2 m, sheath  
material: PVC, black; cULus approval;  
other cable lengths and qualities  
available, see [www.turck.com](http://www.turck.com)

