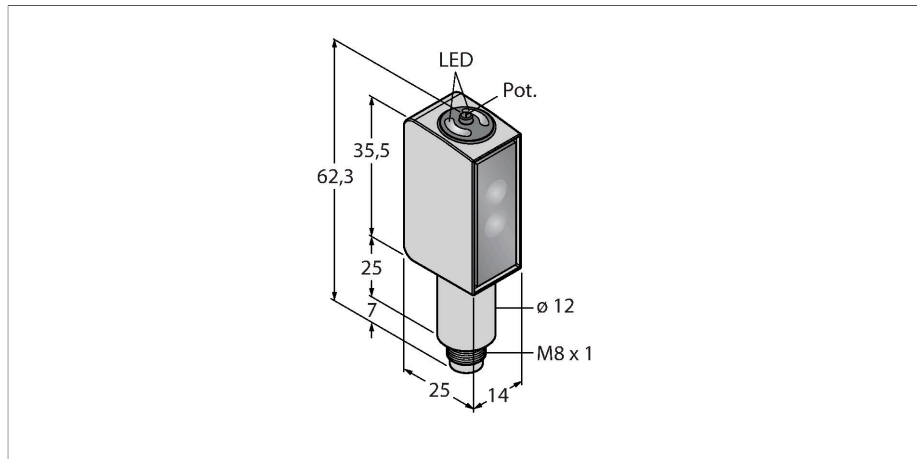


# QM26EPXLPCQ7

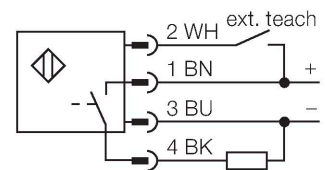
## Photoelectric Sensor – Retroreflective Sensor with Polarizing Filter



### Features

- Range: 5 mm - 800 mm
- Range: 5 mm - 800 mm
- Range: 5 mm - 800 mm

### Wiring diagram



### Technical data

Type	QM26EPXLPCQ7
ID	3028779
<b>Optical data</b>	
Function	Retroreflective Sensor
Operating mode	Polarized (coaxial)
Reflector included in delivery	no
Light type	Red polarized
Wavelength	620 nm
Range	5...2600 mm
<b>Electrical data</b>	
Operating voltage	10...30 VDC
Residual ripple	< 10 % U <sub>ss</sub>
No-load current	≤ 20 mA
Short-circuit protection	yes
Reverse polarity protection	yes
Output function	NO contact, dark operation, PNP
Current output	100 mA
Switching frequency	2 kHz
Readiness delay	≤ 300 ms
Response time typical	< 0.5 ms
Setting option	Push Button Remote Teach
<b>Mechanical data</b>	
Design	Rectangular, QMH26
Dimensions	20.3 x 14 x 32.6 mm
Housing material	Metal, Stainless steel, Grey

## Technical data

Lens	acrylic, PMMA
Electrical connection	Connector, M8 × 1, PVC
Number of cores	4
Ambient temperature	-30...+70 °C
Protection class	IP69
Special features	Chemical-resistant Clear object detection Wash down Resistant to chemicals
Power-on indication	LED, Green
Switching state	LED, Yellow
Excess gain indication	LED, yellow, flashing
<b>Tests/approvals</b>	
Approvals	CE, cULus listed, ECOLAB

## Accessories

SMBQMH26-SS-150	3042371	SMBLSTDLQ26	3018180
			Mounting bracket, stainless steel, rectangular, for Q26
SMBLSTQ26	3019506		
			Mounting bracket, stainless steel, for Q26

## Accessories

Dimension drawing	Type	ID	
	PKG4M-2/TXL	6626533	



Connection cable, female M8, straight, 4-pin, stainless steel coupling nut, cable length: 2 m, jacket material: PUR, black; cULus approval; other cable lengths and qualities available, see [www.turck.com](http://www.turck.com)