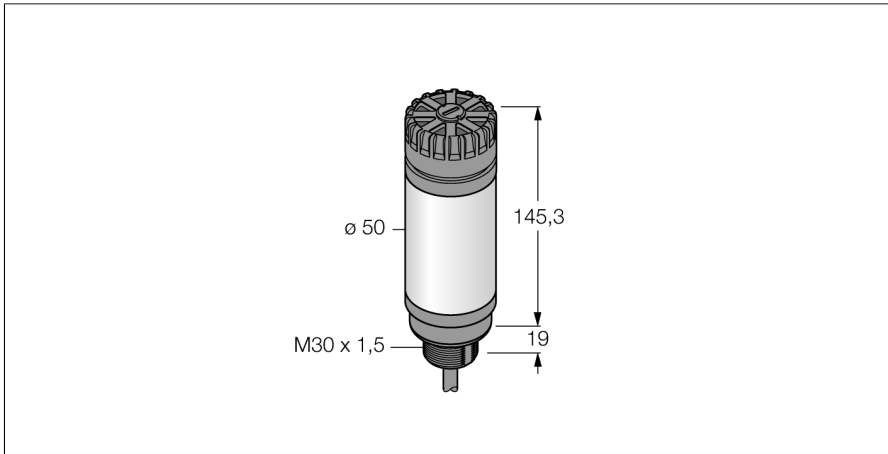
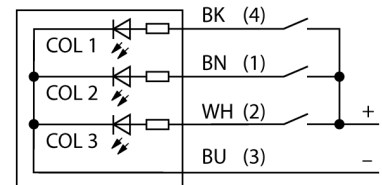


LED Signal Light Tower Light CL50XRAN



- With beeper
- Individually controllable
- M30 × 1.5 mechanical screw-in thread
- Monochrome: Red (COL 2)
- Cable, 2m
- Operating voltage 10...30 VDC
- Beeper max. 92 dB

Wiring Diagram



Functional principle

Multicolor multifunction acoustic signaller
Rugged and well-priced LED tower, easy to install
Illuminated segments for clear operator guidance and display of system status.
Display of up to 3 colors.
Compact devices, no controller required
No mounting
The wiring diagram shows the PNP input configuration. An instruction leaflet with detailed information about the connection is included with the devices.

Type	CL50XRAN
ID	3010488
Signal and display data	
Purpose	LED indicator light
Function	Tower light
Light type	Red
Dimmable	No
Features of color 1	Red, Permanently on, 38 lm
Acoustic signal	Continuous tone, 92dB
Electrical data	
Operating voltage U_s	18...30 VDC
Max. current consumption per color	100 mA
Max. current consumption of beeper	25 mA
Input type	minus-schaltend
Response time typical	< 10 ms
Mechanical data	
Cascadable	No
Design	Smooth barrel, CL50
Dimensions	Ø 50 x 145.3 mm
Housing material	Plastic, ABS/Polycarbonate, Black
Window material	Polycarbonate, diffuse
Electrical connection	Cable, 2 m, PVC
Number of cores	5
Ambient temperature	-20...+50 °C
Relative humidity	0...95%
Protection class	IP50
Tests/approvals	
Approvals	CE, UL listed