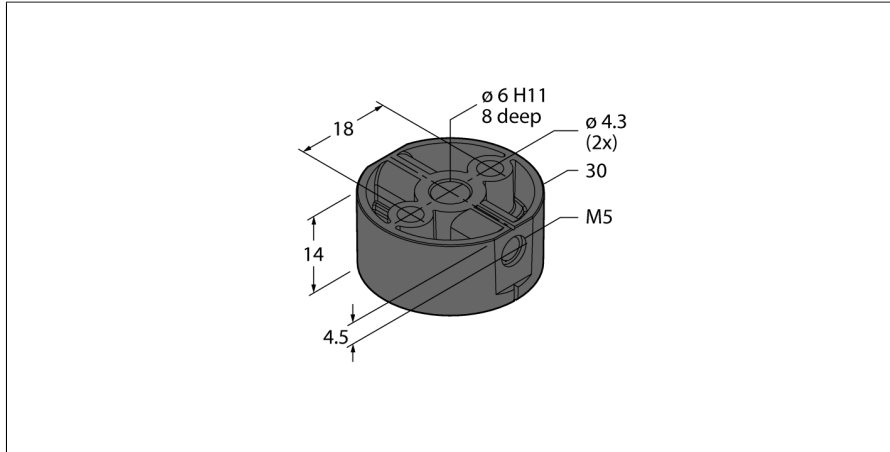


Accessories

Positioning Element

For Encoders RI-QR20

P1-RI-QR20



- Positioning element
- Hollow shaft, internal diameter 6 mm
- Incl. mounting option for shaft adapter

| | |
|---|--|
| Type | P1-RI-QR20 |
| ID | 1593041 |
| Remark to product | Vibration and shock resistance depends on the way the transducer is mounted. |
| Housing material | Plastic, PC |
| Ambient temperature | -40...+85 °C |
| Temperature changes (EN60068-2-14) | -40... +85 °C; 20 cycles |
| Vibration resistance | 55 Hz (1 mm) |
| Vibration resistance (EN 60068-2-6) | 20 g; 10...3000 Hz; 50 cycles; 3 axes |
| Shock resistance (EN 60068-2-27) | 100 g; 11 ms ½ sine; 3 × each; 3 axes |
| Continuous shock resistance (EN 60068-2-29) | 40 g; 6 ms ½ sine; 4000 × each; 3 axes |
| Salt spray test (EN 60068-2-52) | Severity degree 5 (4 test cycles) |
| Protection class | IP68 IP69K |