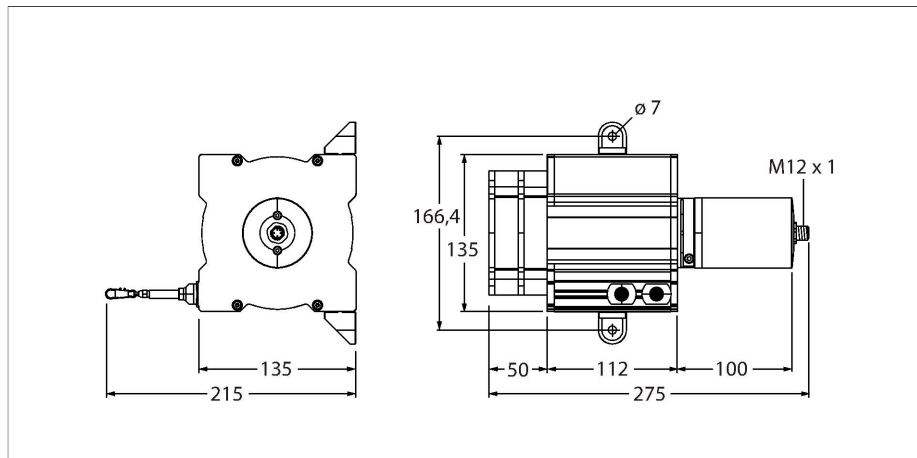


DW10000-135-PA-H1441

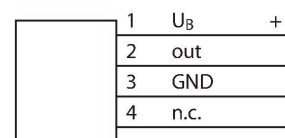
Draw-Wire



Features

- Measuring range up to 10000mm
- M12 connector
- Protection class: IP65 (Encoder)
- Potentiometric output 1k Ohm
- Supply voltage max. 30 VDC

Wiring diagram



Technical data

Type	DW10000-135-PA-H1441
ID	1544557
General data	
Measuring range	10000 mm
Linearity deviation	≤ 0.1 %
Electrical data	
Operating voltage U_B	0...30 VDC
Short-circuit protection	yes
Wire break/reverse polarity protection	yes
Output function	4-pin, Potentiometer
Mechanical data	
Design	Draw Wire
Housing material	Titanium anodized aluminium
min. extension force	8.7 N
max. extension force	16.9 N
max. extension speed	6 m/s
Pull acceleration max.	80 m/s ²
wire material	Stainless steel
Electrical connection	Connector, M12 × 1
Environmental conditions	
Ambient temperature	-20...+85 °C
Protection class	IP65

Signal	+ U_B	Slider	Gnd	-	-	-	-	-	-
Pin configuration	1	2	3	4	-	-	-	-	-

Accessories

RDR-1

1544753

Deflection roller for aluminium draw-wire sensors

