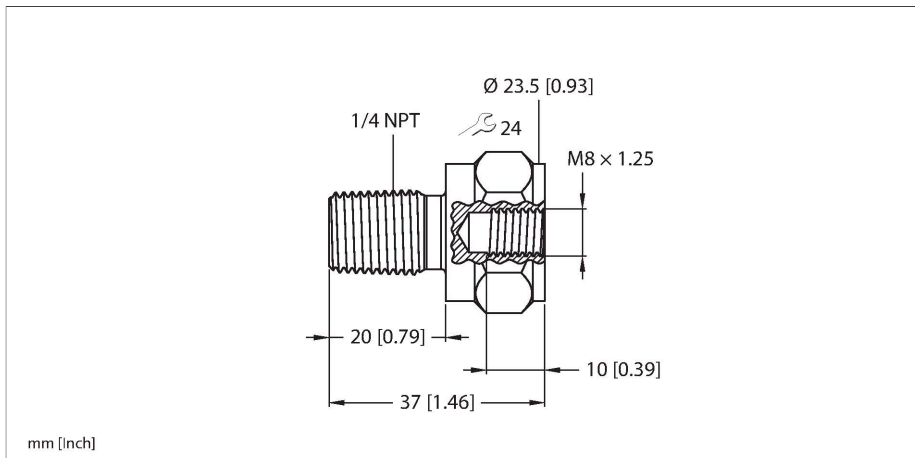


MA-M8-1/4-NPT Mounting Adapter



Technical data

Type	MA-M8-1/4-NPT
ID	100050776

Features

- Female thread: M8 x 10 mm
- Male thread: 1/4" NPT
- Stainless steel, V4A