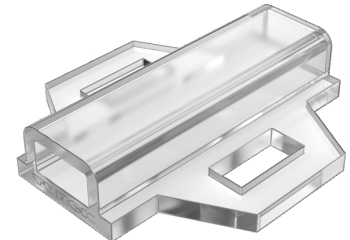
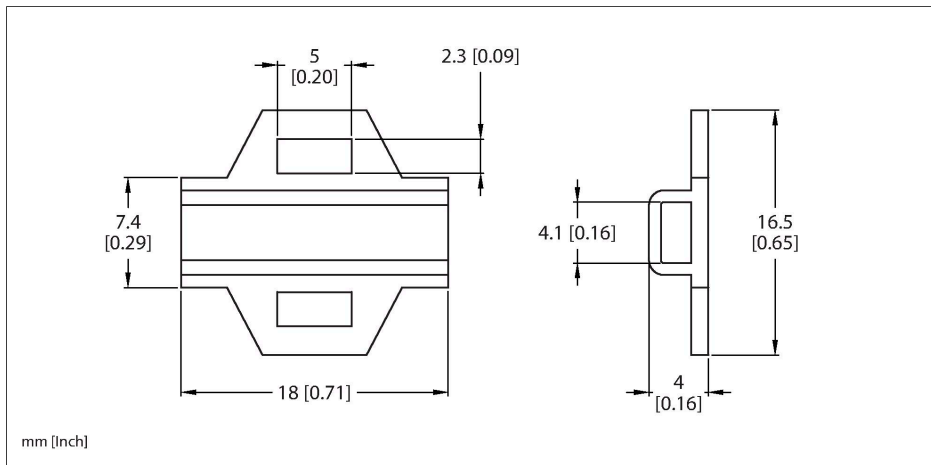


LABEL-HOLDER-FLEX-PVC

Accessories for Sensor Cable — Label Holder



Technical data

Type	LABEL-HOLDER-FLEX-PVC
ID	100048170
Connector body	Plastic, PVC, Transparent
Ambient temperature range (In motion)	-40...+60 °C

Features

- For identification of connection cables (TEL/ TXL product series)
- Material: PVC, transparent
- For cable diameters: min. 5 mm
- Dimensions: 4 × 18 mm
- Flame retardant in accordance with UL 94, fire class V-0
- Delivery unit: 50 pieces per package

Accessories

BLANK-LABEL-FOR-CORDSETS-TEL-TXL	6936206
----------------------------------	---------

Label for TEL and TXL cables, length: 18 mm, height: 4 mm, material: polycarbonate (PC), color: white, halogen-free and flame-retardant

