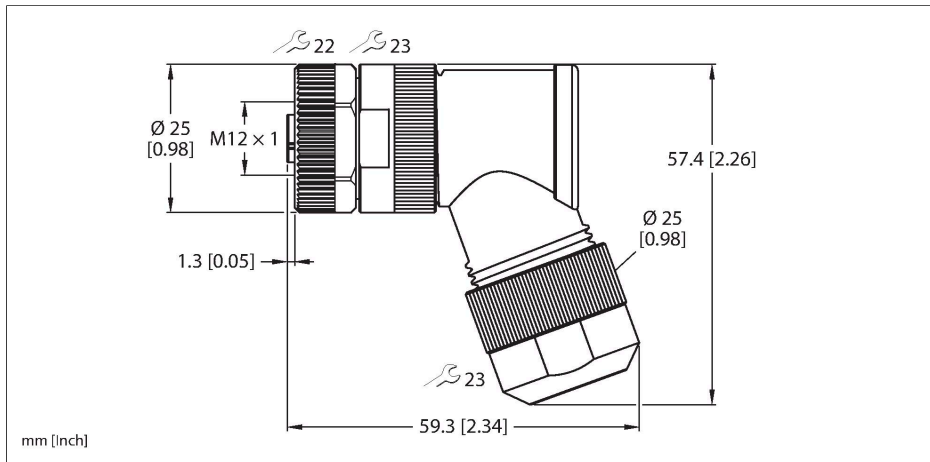


FW-EWKPM0514-PL-S-0813

Field-Wireable Connector – M12 Power Female Connector M12 × 1, Angled



Technical data

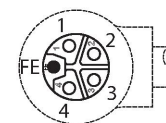
Type	FW-EWKPM0514-PL-S-0813
ID	100036618
Connector A	Female, M12 × 1, Angled, L-coded
Number of pins	4+FE
Contacts	Brass, CuZn, Gold-plated
Contact carriers	Plastic, PA UL94-V0, Gray
Connector body	Plastic, Black
Coupling nut/screw	Die-cast Zinc, GD-Zn, Nickel-plated
Seal	Plastic, FPM/FKM
External diameter of the cable	8...13 mm
Connection mode	Screw/clamp connection
Mechanical lifespan	> 100 Mating cycles
Protection class	IP67, (screwed together)
Electrical properties at +20 °C	
Rated voltage	50 V _{AC} /63 V _{DC}
Current	12 A
Mechanical and chemical properties	
Ambient temperature (fixed)	-40...+85 °C
Approvals	cULus recognized

Features



- L-coding
- Metal coupling nut
- Screw-clamp terminal
- 5-pin (4+FE)
- Cable feedthrough: 8.0...13.0 mm
- Terminal capacity:
 - Max. 1.5 mm² or 16 AWG (with cable end sleeve)
 - Max. 2.5 mm² or 14 AWG (without cable end sleeve)

Contact assignment



Derating Curve

