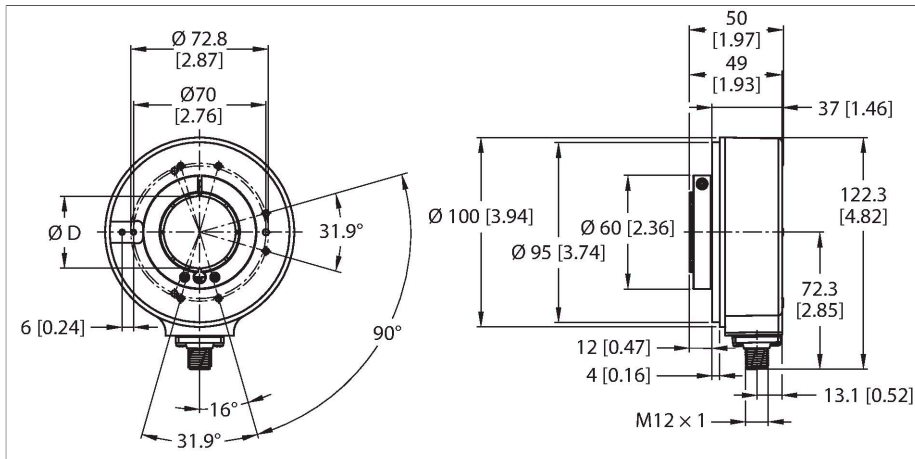


REI-43H40S-4C2000-H1181

Incremental Encoder

Industrial Line

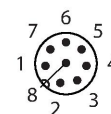
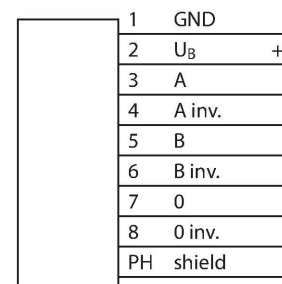


Technical data

Type	REI-43H40S-4C2000-H1181
ID	100011474
Measuring principle	Optical
General data	
Max. rotational speed	6000 rpm
Moment of inertia of the rotor	$220 \times 10^{-6} \text{ kgm}^2$
Starting torque	< 0.2 Nm
Output type	Incremental
Resolution incremental	2000 ppr
Electrical data	
Operating voltage U_B	10...30 VDC
No-load current	$\leq 120 \text{ mA}$
Output current	$\leq 20 \text{ mA}$
Short-circuit protection	yes
Wire break/reverse polarity protection	yes
Pulse frequency max.	300 kHz
Signal level high	min. 2.5 V
Signal level low	max. 0.5 V
Output function	8-wire, RS422/TTL, invertable
Mechanical data	
Flange type	Flange without mounting element
Flange diameter	$\varnothing 100 \text{ mm}$
Shaft Type	Hollow shaft
Shaft diameter D (mm)	40
Shaft material	Stainless steel
Housing material	Die-cast zinc

Features

- Flange without mounting element, $\varnothing 100 \text{ mm}$
- Hollow shaft, $\varnothing 40 \text{ mm}$
- Optical measuring principle
- Shaft material: stainless steel
- Protection class IP65 on housing and shaft side
- -40 ... +80 °C
- Max. 6000 rpm (at 60 °C: 2500 rpm)
- 10...30 VDC
- RS422/TTL invertible
- Pulse frequency max. 300 kHz
- M12 x 1 male connector, 8-pin
- 2000 pulses per revolution



Technical data

Electrical connection	Connector, M12 × 1
	8-pin
Axial shaft load	100 N
Radial shaft load	200 N
Environmental conditions	
Ambient temperature	-40...+80 °C
Vibration resistance (EN 60068-2-6)	10 g (100 m/s ²), 10...2000 Hz
Shock resistance (EN 60068-2-27)	200 g (2000 m/s ²), 6 ms
Protection class	IP65
Protection class shaft	IP65

Accessories

RME-5 **1544616**

Stainless steel mounting panel for hollow shaft encoders, reference diameter 149 mm, for applications with axial play

RME-6 **1544617**

Stainless steel mounting panel for hollow shaft encoders, reference diameter 104...206 mm, for applications with fixing points on adjustable reference diameter

RME-10 **1544621**

Stainless steel mounting element for hollow shaft encoders, pitch diameter 110 mm, for applications with high axial play

RME-11 **1544622**

Stainless steel mounting element for hollow shaft encoders, pitch diameter 76 mm, for applications with limited mounting space

RME-15 **1544626**

Metal arm bracket, for hollow shaft encoders, length 70 mm; for applications with little axial and radial play; flexibly adjustable

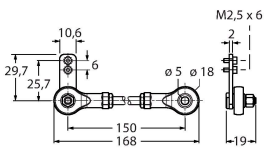
RME-16 **1544627**

Metal arm bracket, for hollow shaft encoders, length 100 mm; for applications with little axial and radial play; flexibly adjustable

RME-17

1544628

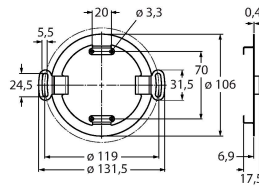
Metal arm bracket, for hollow shaft encoders, length 150 mm; for applications with little axial and radial play; flexibly adjustable



RME-18

1544629

Stainless steel stator coupling for hollow shaft encoders, reference diameter 119 mm, for highly dynamic applications with axial and radial play



Accessories

Dimension drawing	Type	ID	
	RKC8T-2/TXL	6625142	Connection cable, M12 female connector, straight, 8-pin, cable length: 2 m, jacket material: PUR, black; cULus approval
	WKC8T-2/TXL	6625145	Connection cable, M12 female connector, angled, 8-pin, cable length: 2 m, jacket material: PUR, black; cULus approval