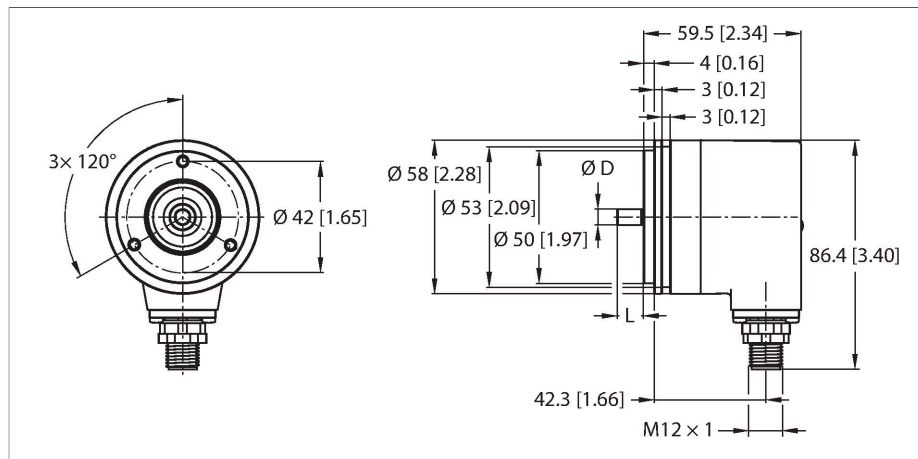


REM-103S6S-5C13S12M-H1181

Absolute Rotary Encoder - Multiturn

Industrial Line



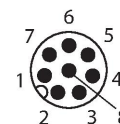
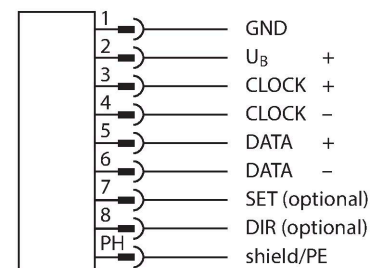
Features

- Synchro flange, Ø 58 mm
- Solid shaft, Ø 6 mm × 10 mm
- Optical measuring principle
- Shaft material: stainless steel
- Protection class IP67 on housing and shaft side
- -40...+85 °C
- Max. 8000 rpm (continuous operation 5000 rpm)
- 10...30 VDC
- SSI, binary
- M12 × 1 male, 8-pin
- Singleturn, 13-bit resolution
- Multiturn, 12-bit resolution

Technical data

| | |
|--|----------------------------------|
| Type | REM-103S6S-5C13S12M-H1181 |
| ID | 100011387 |
| Measuring principle | Optical |
| General data | |
| Max. rotational speed | 8000 rpm |
| Moment of inertia of the rotor | $3 \times 10^{-6} \text{ kgm}^2$ |
| Starting torque | < 0.05 Nm |
| Absolute accuracy | $\pm 0.015^\circ$ At 25 °C |
| Output type | Absolute multiturn |
| Resolution singleturn | 13 Bit |
| Resolution multiturn | 12 Bit |
| Electrical data | |
| Operating voltage U_B | 10...30 VDC |
| No-load current | $\leq 30 \text{ mA}$ |
| Short-circuit protection | yes |
| Wire break/reverse polarity protection | yes |
| Communication protocol | SSi |
| Output function | Binary coded |
| Mechanical data | |
| Flange type | Synchro flange |
| Flange diameter | Ø 58 mm |
| Shaft Type | Solid shaft |
| Shaft diameter D (mm) | 6 |
| Shaft Length L [mm] | 10 |
| Shaft material | Stainless steel |
| Housing material | Die-cast zinc |

Wiring diagram

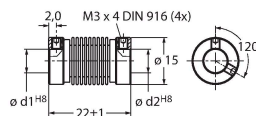
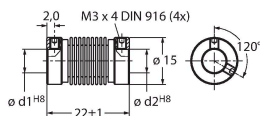


Technical data

| | |
|-------------------------------------|-------------------------------------|
| Electrical connection | Connector, M12 × 1 |
| | 8-pin |
| Axial shaft load | 40 N |
| Radial shaft load | 80 N |
| Environmental conditions | |
| Ambient temperature | -40...+85 °C |
| Vibration resistance (EN 60068-2-6) | 100 m/s ² , 10...2000 Hz |
| Shock resistance (EN 60068-2-27) | 2500 m/s ² , 6 ms |
| Protection class | IP67 |
| Protection class shaft | IP67 |

Accessories

| | | | |
|---|---------|---|---------|
| RCS-15-06-06 | 1545362 | RCS-15-08-06 | 1545361 |
| Bellows coupling, outer diameter: 15 mm, bore diameter: 6 mm/6 mm | | Bellows coupling, outer diameter: 15 mm, bore diameter: 8 mm/6 mm | |



Accessories

| Dimension drawing | Type | ID | |
|-------------------|----------------|---------|--|
| | E-RKC 8T-264-2 | U-04781 | |



Connection cable, female M12, straight, 8-pin (twisted pairs), shielded, cable length: 2 m, sheath material: PVC, black; cULus approval; other cable lengths and qualities available, see www.turck.com